

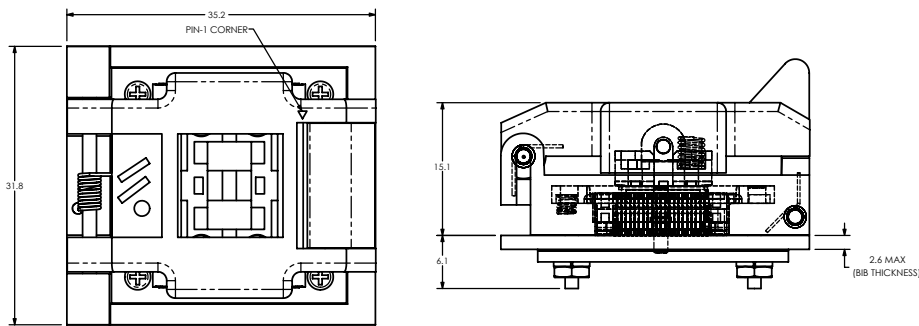
BURN-IN

718 SERIES CLAMSHELL SOCKET FOR CSP/BGA PACKAGES

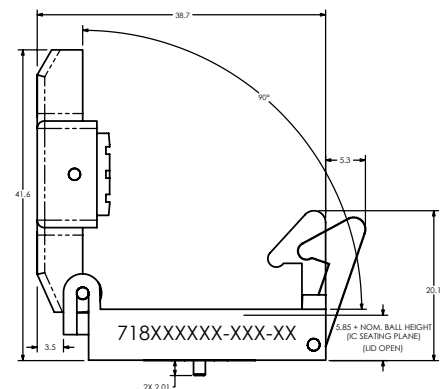
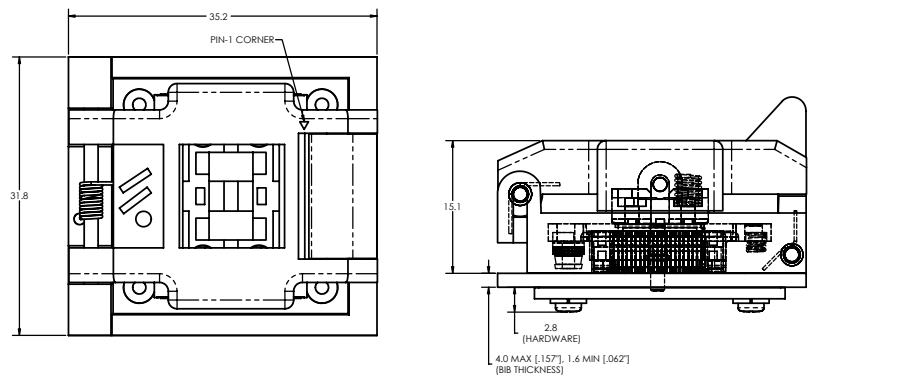
- > Clamshell design, compression surface mount
- > Spring and probe contact
- > Pointed probe maintains continuous contact to PCB
- > Spring loaded pressure pad and locator plate
- > 4-Point Crown tip interface to DUT solder balls
- > Multi-site options are available
- > Various pitches available



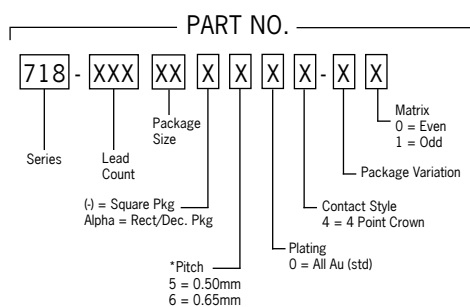
Standard



With optional threaded inserts



DESCRIPTION & ORDERING INFORMATION



MATERIALS & SPECIFICATIONS

- > Socket Body: PEI, PES or Equivalent
- > Contact: Beryllium Copper Alloy
- > Contact Plating: Gold over Nickel
- > Contact Normal Force: 12-15 grams typical
- > Contact Resistance: 350 mΩ typical
- > Temperature Rating: Burn-in @125°C
- > Durability: 10,000 cycles min.

BURN-IN

718 SERIES CLAMSHELL SOCKET FOR CSP/BGA PACKAGES

Pitch e (mm)	Package Size (mm)	Matrix	Part Number
0.50	0.9X0.9	2X2	718-00401L504-XX
	1.40X0.90	3X2	718-00601W504-XX
	1.57X1.09	3X2	718-00601V504-XX
	1.90X0.90	4X2	718-00801F504-XX
	1.90X1.40	4X3	718-01201Y504-XX
	2X2	4X4	718-01602-5XX-XX
	2X2.5	4X3	718-01202L504-XX
	2.5X2.5	4X4	718-01502A-5XX-XX
	2.51X1.51	5X3	718-01502F504-XX-01
	2.64X2.56	5X5	718-02502A502-XX
	2.98X2.47	6X5	718-03002M504-XX
	3X2.5	5X4	718-02003F504-XX
	3.36X3.36	6X6	718-03203B5XX-XX-01 *
	3.5X3.5	6X6	718-03603C504-XX
	3.57X3.57	6X6	718-03303H504-XX-01
	3.97X3.97	8X8	718-06403E504-XX-01
	4X4	4X4	718-01604-9XX-XX
	4X4	7X7	718-048004-5XX-XX
	4X4	7X7	718-04904-5XX-XX
	4.27X4.27	7X7	718-04804C5XX-XX
	4.35X4.2	7X7	718-04704A5XX-XX
	4.42X4.42	8X8	718-06304D5XX-XX-01
	4.5X4.5	8X8	718-06004H504-XX
	4.76X3.41	8X5	718-04004F504-XX-02
	4.88X3.53	8X5	718-04004J504-XX-S1
	5X5	9X9	718-04805-504-XX
	5X5	9X9	718-05705-504-XX
	5X5	9X9	718-05705-504-XX-01
	5X5	9X9	718-05705-504-XX-02
	5X5	8X8	718-06405-5XX-XX
	5X5	9X9	718-08005-5XX-XX
	5X5	9X9	718-08005-504-XX
	5X5	9X9	718-08105-5XX-XX
	5.07X3.06	9X5	718-04205CXX-XX-01
	5.5X5.5	10X10	718-08705E504-XX
	5.81X5.56	10X10	718-09305K504-XX
	5.8X5.4	11X10	718-08806L504-XX-01
	5.9X5.1	10X8	718-07205J504-XX
	6X3.5	10X6	718-05606K50X-XX
	6X5	11X6	718-04806G504-XX
	6X5	11X6	718-04806G504-XX
	6X6	9X9	718-04906-5XX-XX
6X6	10X10	718-05606-5XX-XX	
6X6	10X10	718-06406-5XX-XX	
6X6	8X8	718-06406-5XX-XX	
6X6	10X10	718-06806-504-XX-01	
6X6	10X10	718-08006-5XX-XX-01	

BURN-IN

718 SERIES CLAMSHELL SOCKET FOR CSP/BGA PACKAGES

Pitch e (mm)	Package Size (mm)	Matrix	Part Number
0.50	6X6	10X10	718-08406-5XX-XX
	6X6	10X10	718-08406-504-XX-01
	6X6	10X10	718-08406-50X-XX
	6X6	11X11	718-08806-5XX-XX
	6X6	10X10	718-08806-504-XX-01
	6X6	11X11	718-09606-5XX-XX
	6X6	11X11	718-10406-5XX-XX-01
	6X6	11X11	718-10506-5XX-XX
	6X6	11X11	718-11106-5XX-XX
	6X8	14X8	718-04408A504-XX
	6.29X10.53	4X10	718-04010A-502-XX
	7X7	11X11	718-07207-502-XX
	7X7	11X11	718-07207-504-XX
	7X7	12X12	718-08407-502-XX
	7X7	13X13	718-08807-5XX-XX
	7X7	12X12	718-10007-5XX-XX-01
	7X7	12X12	718-10007-504-XX-01
	7X7	12X12	718-10807-5XX-XX
	7X7	12X12	718-10807-504-XX-01
	7X7	12X12	718-10807-504-XX-01
	7X7	12X12	718-10807-504-XX-01
	7X7	12X12	718-11207-504-XX-01
	7X7	12X12	718-12007-504-XX-01
	7X7	11X11	718-12107-504-XX
	7X7	12X12	718-14307-502-XX
	7X7	12X12	718-14407-504-XX
	7X7	13X13	718-14407-504-XX
	7X7	12X12	718-14407-504-XX
	7.06X3.25	8X6	718-04807B5XX-XX
	8X8	14X14	718-10008-504-XX
	8X8	14X14	718-10808-5XX-XX
	8X8	14X14	718-10808-5XX-XX
	8X8	14X14	718-11608-5XX-XX
	8X8	13X13	718-12808-502-XX
	8X8	14X14	718-13208-504-XX-01
	8X8	14X14	718-14408-502-XX
	8X8	14X14	718-14408-5XX-XX-01
	8X8	14X14	718-14408-504-XX-01
	8X8	14X14	718-15208-504-XX
	8X8	14X14	718-15908-5XX-XX
	8X8	15X15	718-16108-504-XX
	8X8	14X14	718-16408-504-XX-01
	8X8	13X13	718-16908-504-XX
	8X8	15X15	718-17608-5XX-XX
	8X8	14X14	718-19608-502-XX
8X8	14X14	718-19608-504-XX-01	
8X8	15X15	718-22508-5XX-XX-01	
8.5X8	16X15	718-24008E504-XX	

continued...

BURN-IN

718 SERIES CLAMSHELL SOCKET FOR CSP/BGA PACKAGES

Pitch e (mm)	Package Size (mm)	Matrix	Part Number
0.50	8.5X8.5	16X16	718-19208D504-XX
	8.5X8.5	16X16	718-25608D504-XX-01
	9X9	16X16	718-17608-504-XX-01
	9X9	16X16	718-17609-504-XX-02
	9X9	17X17	718-18809-5XX-XX
	9X9	16X16	718-18809-5XX-XX
	9X9	16X16	718-18809-504-XX-01
	9X9	16X16	718-19209-504-XX
	9X9	16X16	718-25609-504-XX-01
	9X9	17X17	718-28809-504-XX
	10.53X6.29	10X4	718-04010A5XX-XX-01
	10.9X10.1	19X19	718-28111A5XX-XX-01
	10X10	17X17	718-18110-5XX-XX
	10X10	18X18	718-18410-5XX-XX
	10X10	18X18	718-20810-504-XX-01
	10X10	18X18	718-24010-504-XX-01
	10X10	18X18	718-24510-504-XX-01
	10X8	14X10	718-05610D504-XX
	11X11	17X17	718-24011-5XX-XX-01
	11X11	20X20	718-25611-5XX-XX
	12.5X7	24X13	718-22812A5XX-XX-01
	12X12	22X22	718-22812-5XX-XX
	12X12	21X21	718-24412-XXX-XX
	12X12	22X22	718-27212-504-XX-01
	12X12	22X22	718-27612-500-XX
	12X12	19X19	718-28812-5XX-XX-01
	12X12	22X22	718-29112-504-XX-01
	12X12	22X22	718-32412-504-XX
	12X12	22X22	718-34412-504-XX-01
	13X13	22X22	718-30013-502-XX
13X13	23X23	718-31613-504-XX-01	
0.65	12X12	17X17	718-20812-604-XX-01
	12X12	17X17	718-28912-604-XX-01
	12X12	18X18	718-30012-604-XX-01
	13X13	18X18	718-24813-604-XX-01
	13X13	19X19	718-28013-6XX-XX
	13X13	19X19	718-28013-604-XX-02
	14X12	20X17	718-19014C604-XX
	10X4.5	14X6	718-08310A6XX-XX
	5X5	7X7	718-04905-6XX-XX
	5X5	7X7	718-04905-6XX-XX
	6X6	8X8	718-06406-604-XX-01
	8X8	11X11	718-09608-604-XX
	8X8	11X11	718-09608-604-XX-01
8X8	11X11	718-12108-6XX-XX	
1.00	11.63X8.38	11X8	718-03412A9XX-XX
	12X10	10X8	718-08012D904-XX
	7X4.5	5X3	718-01407A904-XX
	8.46X6.27	7X5	718-02108A9XX-XX