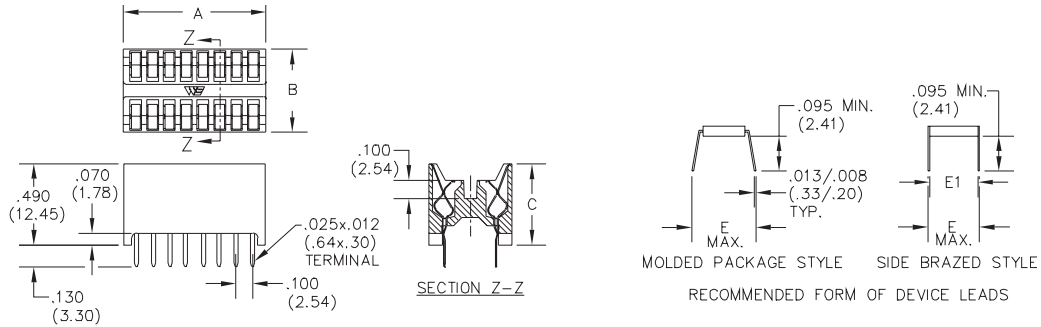
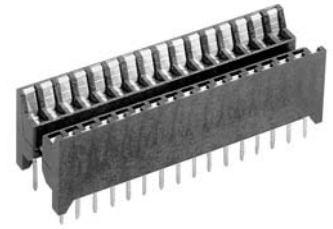


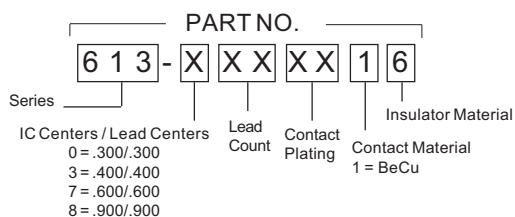
613 Series "Mid-Rise"® Socket

- Compact size for maximum board density
- Wide target area for easy entry and removal of IC leads
- Dual face-wipe contacts for long, dependable life
- Excellent component clearance under the socket
- Four high corner standoffs for easy inspection and cleaning of the PC board
- For temperatures up to 150°C; for higher temperature applications consult the factory



Lead Count	Pitch e (mm)	Package Dimensions (mm)		Part Number	Socket Dimensions (inches)		
		Width (E1)	Lead Width (max) (E)		Length (A)	Width (B)	Height (C)
6	.100 (2.54)	.270 (6.86)	.330 (8.38)	613-0060316	.330 (8.38)	.495 (12.57)	.485 (12.45)
8	.100 (2.54)	.270 (6.86)	.330 (8.38)	613-0080316	.430 (10.92)	.495 (12.57)	.485 (12.45)
14	.100 (2.54)	.270 (6.86)	.330 (8.38)	613-0140316	.730 (18.54)	.495 (12.57)	.485 (12.45)
16	.100 (2.54)	.270 (6.86)	.330 (8.38)	613-0160316	.830 (21.08)	.495 (12.57)	.485 (12.45)
18	.100 (2.54)	.270 (6.86)	.330 (8.38)	613-0180316	.930 (23.62)	.495 (12.57)	.485 (12.45)
18	.100 (2.54)	.370 (9.40)	.430 (10.92)	613-3180316	.930 (23.62)	.595 (15.11)	.485 (12.45)
20	.100 (2.54)	.270 (6.86)	.330 (8.38)	613-0200316	1.030 (26.16)	.495 (12.57)	.485 (12.45)
20	.100 (2.54)	.370 (9.40)	.430 (10.92)	613-3200316	1.030 (26.16)	.595 (15.11)	.485 (12.45)
22	.100 (2.54)	.270 (6.86)	.330 (8.38)	613-0220316	1.130 (28.70)	.495 (12.57)	.485 (12.45)
22	.100 (2.54)	.370 (9.40)	.430 (10.92)	613-3220316	1.130 (28.70)	.595 (15.11)	.485 (12.45)
24	.100 (2.54)	.270 (6.86)	.330 (8.38)	613-0240316	1.230 (31.24)	.495 (12.57)	.485 (12.45)
24	.100 (2.54)	.570 (14.48)	.630 (16.00)	613-7240316	1.230 (31.24)	.795 (20.19)	.485 (12.45)
28	.100 (2.54)	.270 (6.86)	.330 (8.38)	613-0280316	1.430 (36.32)	.495 (12.57)	.485 (12.45)
28	.100 (2.54)	.370 (9.40)	.430 (10.92)	613-3280316	1.430 (36.32)	.595 (15.11)	.485 (12.45)
28	.100 (2.54)	.570 (14.48)	.630 (16.00)	613-7280316	1.430 (36.32)	.795 (20.19)	.485 (12.45)
32	.100 (2.54)	.270 (6.86)	.330 (8.38)	613-0320316	1.630 (41.40)	.495 (12.57)	.485 (12.45)
32	.100 (2.54)	.370 (9.40)	.430 (10.92)	613-3320316	1.630 (41.40)	.595 (15.11)	.485 (12.45)
32	.100 (2.54)	.570 (14.48)	.630 (16.00)	613-7320316	1.630 (41.40)	.795 (20.19)	.485 (12.45)
40	.100 (2.54)	.570 (14.48)	.630 (16.00)	613-7400316	2.030 (51.56)	.795 (20.19)	.485 (12.45)
64	.100 (2.54)	.870 (22.10)	.930 (23.62)	613-8640316	3.230 (82.04)	1.095 (27.91)	.485 (12.45)

DESCRIPTION & ORDERING INFORMATION



MATERIALS & SPECIFICATIONS

- Socket Body: PEI or Equivalent
- Contact: Beryllium Copper Alloy
- Contact Plating: Gold over Nickel
- Contact Insertion Force: 15 grams
- Contact Withdrawal Force: 8 grams
- Contact Resistance: 20 mΩ
- Dielectric: 600V AC for 2 minutes
- Temperature Rating: 150°C
- Durability: 10,000 cycles min.