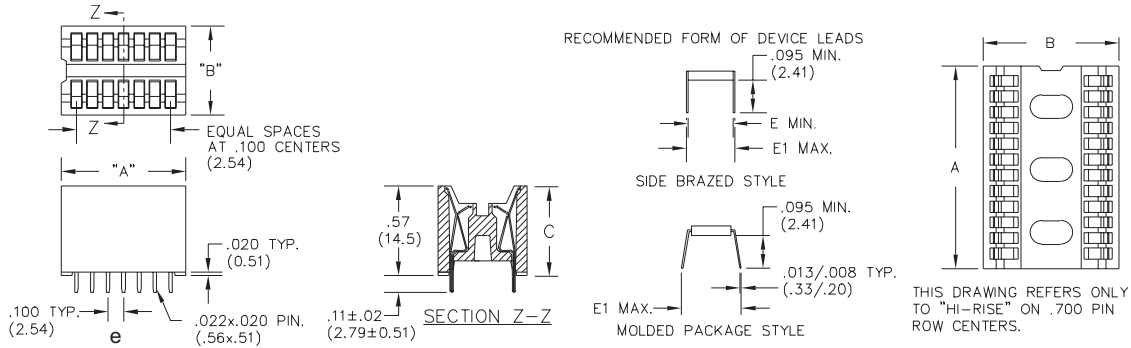


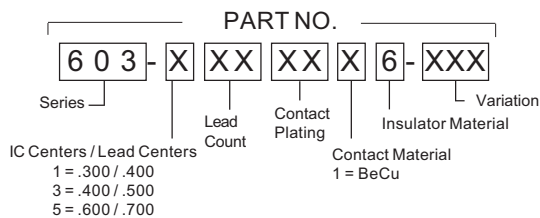
603 Series "Hi-Rise" Socket

- Exceptionally long-lasting, dual face-wipe contacts
- Large target area for fast, easy insertion of IC devices
- Center "sword" slot for automatic unloading
- Can be manufactured for high humidity test applications
- For temperatures up to 150°C; for higher temperature applications consult the factory



Lead Count	Pitch e (mm)	Package Dimensions (mm)		Part Number	Socket Dimensions (mm)		
		Width (E1)	Lead Width (max.) (E)		Length (A)	Width (B)	Height (C)
14	.100 (2.54)	.270 (6.86)	.330 (8.38)	603-1140316	.780 (19.81)	.565 (14.35)	.570 (14.50)
16	.100 (2.54)	.270 (6.86)	.330 (8.38)	603-1160316	.880 (22.35)	.565 (14.35)	.570 (14.50)
18	.100 (2.54)	.270 (6.86)	.330 (8.38)	603-1180316	.980 (24.89)	.565 (14.35)	.570 (14.50)
18	.100 (2.54)	.370 (9.40)	.430 (10.92)	603-3180316	.980 (24.89)	.665 (16.89)	.570 (14.50)
20	.100 (2.54)	.270 (6.86)	.330 (8.38)	603-1200316	1.080 (27.43)	.565 (14.35)	.570 (14.50)
20	.100 (2.54)	.370 (9.40)	.430 (10.92)	603-3200316	1.080 (27.43)	.665 (16.89)	.570 (14.50)
22	.100 (2.54)	.370 (9.40)	.430 (10.92)	603-3220316	1.180 (29.97)	.665 (16.89)	.570 (14.50)
24	.100 (2.54)	.370 (9.40)	.430 (10.92)	603-3240316	1.280 (32.51)	.665 (16.89)	.570 (14.50)
24	.100 (2.54)	.570 (14.48)	.630 (16.00)	603-5240316	1.280 (32.51)	.865 (21.97)	.570 (14.50)
28	.100 (2.54)	.370 (9.40)	.430 (10.92)	603-3280316	1.480 (37.59)	.665 (16.89)	.570 (14.50)
28	.100 (2.54)	.570 (14.48)	.630 (16.00)	603-5280316	1.480 (37.59)	.865 (21.97)	.570 (14.50)
32	.100 (2.54)	.370 (9.40)	.430 (10.92)	603-3320316-024	1.680 (42.67)	.665 (16.89)	.570 (14.50)
36	.100 (2.54)	.570 (14.48)	.630 (16.00)	603-5360316-024	1.880 (47.75)	.865 (21.97)	.570 (14.50)
40	.100 (2.54)	.570 (14.48)	.630 (16.00)	603-5400316	2.080 (52.83)	.865 (21.97)	.570 (14.50)
42	.100 (2.54)	.570 (14.48)	.630 (16.00)	603-5420316	2.180 (55.37)	.865 (21.97)	.570 (14.50)
44	.100 (2.54)	.570 (14.48)	.630 (16.00)	603-5440316	2.280 (57.91)	.865 (21.97)	.570 (14.50)
48	.100 (2.54)	.570 (14.48)	.630 (16.00)	603-5480316	2.480 (62.99)	.865 (21.97)	.570 (14.50)

DESCRIPTION & ORDERING INFORMATION



MATERIALS & SPECIFICATIONS

- Socket Body: PEI or Equivalent
- Contact: Beryllium Copper Alloy
- Contact Plating: Gold over Nickel
- Contact Insertion Force: 140 grams/contact pair
- Contact Withdrawal Force: 30 grams/contact pair
- Contact Resistance: 20 mΩ max. @ 1 amp
- Insulation Resistance: 5,000 MΩ @ 500V AC
- Temperature Rating: 150°C
- Durability: 10,000 cycles min.